

DRAWING NO.
SE209512

CATALOG NUMBER	STRANDED COPPER CONDUCTOR ACCOMMODATED			BOLT SIZE	METRIC BOLT SIZE	FIG. NO.	DIMENSIONS									
	CODE (AWG)	NAVY	METRIC SIZE (CLASS 2)				B	C	E	H REF	K DIA	L	N	O.D.	T REF	Z MIN
YA6CL2TC3845	#6 STR #6 SOL	-----	-----	3/8	-----	1	.54 [14]	.58 [15]	1.00 [25]	.76 [19]	.41 [10]	2.56 [65]	.41 [10]	.29 [7]	.06 [2]	.42 [11]
YA6CL2TC3890						2	.58 [15]	1.00 [25]	.88 [22]	.41 [10]	2.06 [52]	.41 [10]	.06 [2]	.42 [11]		
YA6CL2LN45				1/2	M12	1	.83 [21]	1.75 [44]	.82 [21]	.56 [14]	3.91 [99]	.63 [16]	.12 [3]	.64 [16]		
YA6CL2LN90						2	.83 [21]	1.75 [44]	1.04 [26]	.56 [14]	3.28 [83]	.63 [16]	.12 [3]	.64 [16]		
YA6CL2TC38E1045				3/8	-----	-----	1	.58 [15]	1.25 [32]	.76 [19]	.41 [10]	2.81 [71]	.41 [10]	.06 [2]	.42 [11]	
YA6CL2TC38E1090							2	.54 [14]	.58 [15]	1.25 [32]	.88 [22]	.41 [10]	2.31 [59]	.41 [10]	.06 [2]	.42 [11]

REV	DATE	DESCRIPTION	ECO	BY	C'H'K.
H	01/27/2016 00:00:00 AM	NOTE # 14 UPDATED	42726	TS	NJ

CONNECTOR SIZE	TOLERANCES						
	B	C	E	K DIA	L	N	O.D.
-8C THRU -25	±.06	±.04	±.02	±.02	±.09	±.03	±.01
-26 THRU -34	±.08	±.04	±.02	±.02	±.12	±.03	±.01
-35 AND UP	±.09	±.06	±.02	±.02	±.15	±.06	±.01

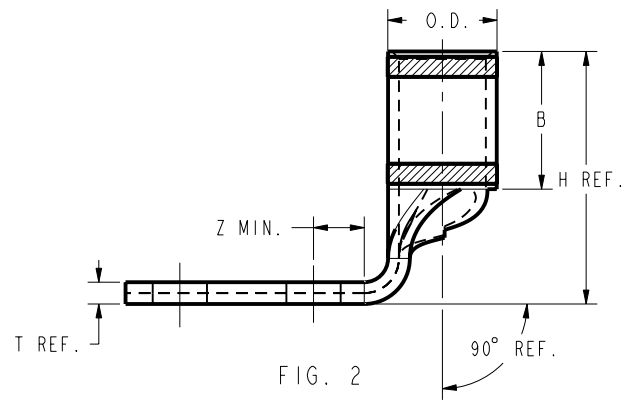
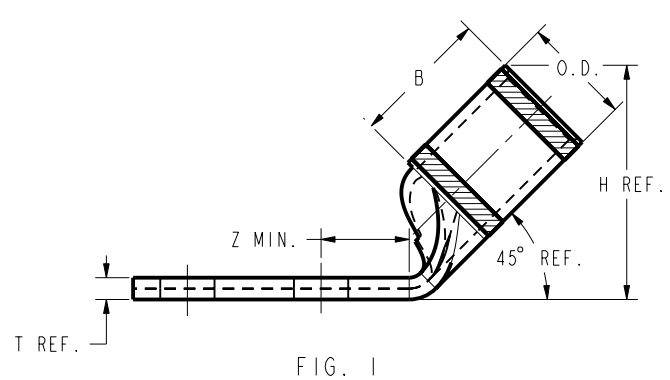
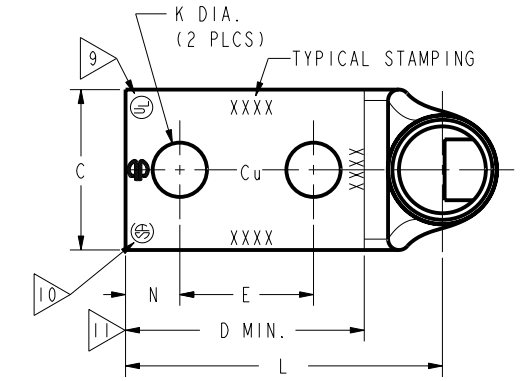
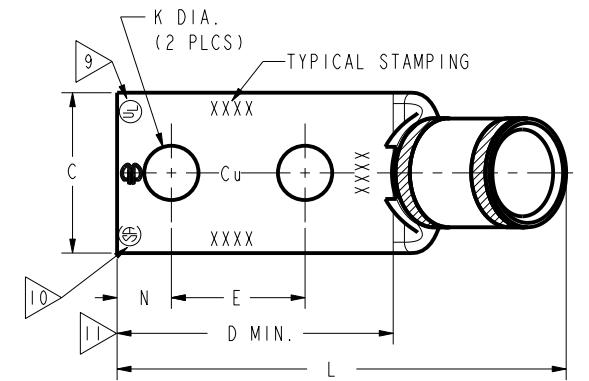
TOLERANCE BLOCK

INSTALLATION TOOLING (# CRIMPS)

CATALOG NO.	COLOR CODE	DIE INFORMATION			MECHANICAL					HYDRAULIC					DIELESS (# CRIMPS)	WIRE STRIP LENGTH
		DIE INDEX	TYPE	YIMRTC Y122CMR	OUR840	MD6 MD7	MD6--R2 MD7-34R	PATMD6 PAT600	Y34A Y34B Y34BH	Y35, Y39 Y750 PAT750	Y46 PAT46	Y45	Y48B	Y60BHU		
YA6CL2TC3845 YA6CL2TC3890 YA6CL2LN45 YA6CL2LN90 YA6CL2TC38E1045 YA6CL2TC38E1090	BLUE	7 374	BLUE DIE SET NEST INDENTOR	BLUE (1)	X5CRT(1) X8CABT(1)	W5CRT(1) W5CVT(1)	W5CRT(1) W5CVT(1)	W5CRT(1) W5CVT(1)	-----	U5CRT(1) U8CABT(1)	U5CRT(1) U8CABT(1)	U5CRT(1) U8CABT(1)	-----	-----	MECHANICAL: MY29-3(1) MY29-11(1) MRC840(1) HYDRAULIC: Y644(1) Y81KFT(1) Y4PC834(1)	5/8"
									B6CD(1) A6CD(1) Y34PR	U6CD-1(1) Y34PR	U6CD-1(1) Y34PR	U6CD-1(1) Y34PR				

NOTES:

- MATERIAL: COPPER TUBING.
- FINISH: ELECTRO-TIN PLATED.
- CATALOG# PT6515 ADAPTOR IS REQUIRED TO USE "U" DIES IN Y45 SERIES TOOLS.
- CATALOG# PUADP-1 ADAPTOR IS REQUIRED TO USE "U" DIES IN Y46 SERIES TOOLS.
- Y35P3 INDENTOR ADAPTOR REQUIRED FOR Y34PR INDENTOR.
- PERMANENT DIE IN TOOLING.
- DIMENSIONS IN BRACKETS [] ARE IN MILLIMETERS ROUNDED OFF TO THE NEAREST MILLIMETER, UNLESS OTHERWISE NOTED, AND ARE FOR REFERENCE ONLY.
- FOR USE BY CUSTOMERS THAT HAVE THIS HYPRESS™. NO NEW Y34A HYPRESS™ TOOLS ARE BEING PROCESSED. Y34A USES A--D NEST DIES ONLY.
- CONNECTORS ARE UL LISTED; UNDRILLED VERSIONS ARE NOT UL LISTED.
- CONNECTORS ARE CSA CERTIFIED; UNDRILLED VERSIONS ARE NOT CSA CERTIFIED.
- FOR UNDRILLED VERSIONS ADD SUFFIX "-U" TO END OF CATALOG NUMBER. FOR UNDRILLED VERSIONS, USE D MIN. = N MAX. + E MIN. + Z MIN.
- "X", "W-RT", "W-VT", "U", & "L" DIE SETS ARE COLOR CODED. "A", "B", AND "C" DIES ARE NOT COLOR CODED. NESTS AND INDENTOR TYPE ARE NOT COLOR CODED.
- DO NOT USE PAT644 OR Y644 TOOLING WITH 6 AWG SOL.
- THESE CATALOG NUMBERS CANNOT BE INSTALLED WITH Y45 OR Y46 TOOLING.



REFERENCE: SD035209

TO ORDER BURNDY® PRODUCTS CALL		COPPER HYLUG™	
UNITED STATES 1-800-346-4175 (LONDONDERRY, NH)		ITEM NO: -- CAT. NO: YA6CL-2TC- (TABLE)	
CANADA: 1-800-361-6975 (QUEBEC) 1-800-387-6487 (ALL OTHER PROVINCES)		DRAWN BY: J. MICHAUD 02/03/95 CHECKER: D. FILLION 02/21/95 DSN APPVL: C. PALAGI 03/09/95 MFG APPVL: N/A -- QA APPVL: C. ACKERMAN 04/03/95 MKT APPVL: T. NELSON 03/13/95	
FOR PRODUCT INFO: http://www.burndy.com		SCALE: 1:1	
		PROJ. NO: -- PROJECT #: DOCUMENT TYPE: Sales REL LEVEL: Released	
		DRAWING NO: SE209512 SHEET 6 OF 52	
		REV: H	

REV: PE0200